

Product Data Sheet: RIU-R24 Auxiliary Relay



Description

The RIU range of auxiliary relays offer a rapid and cost effective solution to applications requiring the additional switching of ancillary equipment.

Mounted on a single gang plate, the RIU-R24B comprises of a high quality dual-change over relay operated via a 24Vdc supply. The unit is supplied complete with a single gang deep back box. Reverse polarity protection is standard as is the LED mounted on the front face which indicates the mode of operation.

The RIU-R24B is ideal for applications involving other accessory products from Cranford Controls such as the DRW series electromagnetic door retainers. It's design closely resembles the RIU-02 remote indicator.

The relay is also available in PCB only format (R24-PCB), or in a metal enclosure (R24-BOX).

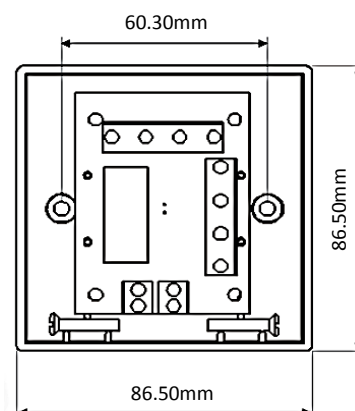
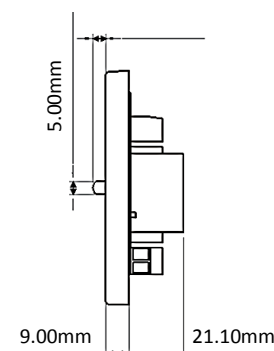
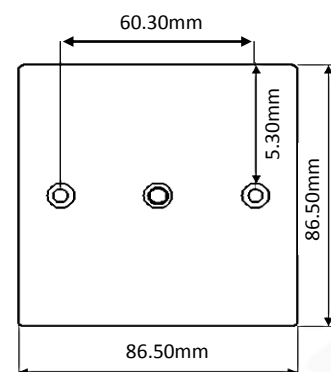
A 12Vdc version is available, ideal for security applications (RIU-R12B).

For text in other languages please consult our Sales Office.

Technical Information

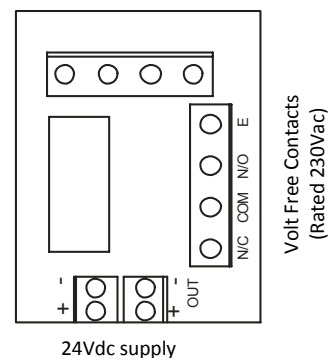
Part No.	RIU-R24B	R24-PCB	R24-BOX	RIU-R12B
Current @ 24Vdc:	c. 22mA			c. 44mA
Voltage Range:	18 - 40Vdc	18 - 40Vdc	18 - 40Vdc	9 - 18Vdc
Relay Contact Rating:	230Vac 5A			
Coil Impedance:	1100Ω	1100Ω	1100Ω	275Ω
IP Rating:	IP43	N/A	IP43	IP43
Weight:	150g	51g	612g	150g
Back Box:	Yes	No	No	Yes

Dimensions



Connection

Volt Free Contacts
(Rated 230Vac)



24Vdc supply