



EMERGENCY VOICE COMMUNICATIONS TOILET ALARM SOLUTIONS

VIGIL OmniCare

CARE 2

The Baldwin Boxall DTAKIT products enable fully compliant BS8300:2009 toilet alarms to be added to the OmniCare and CARE2 EVC systems. The British Standard requires all new disabled toilets to be fitted with an emergency toilet alarm. Products available in the range:

DTAKIT • DTASKIT

IN THE KIT:

Pull switch:

Ceiling mounted pull switch (with two fully compliant 'G' pulls).

Reset point:

Reset button with LED and (optional) sounder.

Light/sounder:

Over-door triangular lens with integral sounder to attract attention.

GENERAL:

- Fully conforms to BS8300:2009 requirements.
- Connect up to two toilet alarms to one point. (Or one toilet alarm with two ceiling pulls.)
- Monitored battery backup via the EVC system.
- Powerful LEDs and sounder.
- Self test facility to ensure all sounders and LEDs are fully operational.
- Call acknowledge feature. (When the call is accepted/acknowledged at the EVC control panel, the caller can be reassured that help is on the way due to the change in rate of the sounder.)
- Available in white or stainless steel finish.
- Components available separately, enabling combinations of white/stainless steel finishes where required.

CONNECTION TO OMNICARE:

- The DTAKITs are connected to the OmniCare loop via a BVOCRIF repeater unit.
- Up to two DTAKITs can be connected to one BVOCRIF (will show as one point on the control panel).
- As an alternative, one DTAKIT and an additional ceiling pull can be fitted to a BVOCRIF (useful for rooms with two points of call, e.g. a toilet cubicle with a shower area).



CONNECTION TO CARE2:

- The DTAKITs are connected directly to the control console.
- Up to two DTAKITs can be connected to one line (will show as one point on the control panel).
- As an alternative, one DTAKIT and an additional ceiling pull can be fitted to one line (useful for rooms with two points of call, e.g. a toilet cubicle with a shower area).

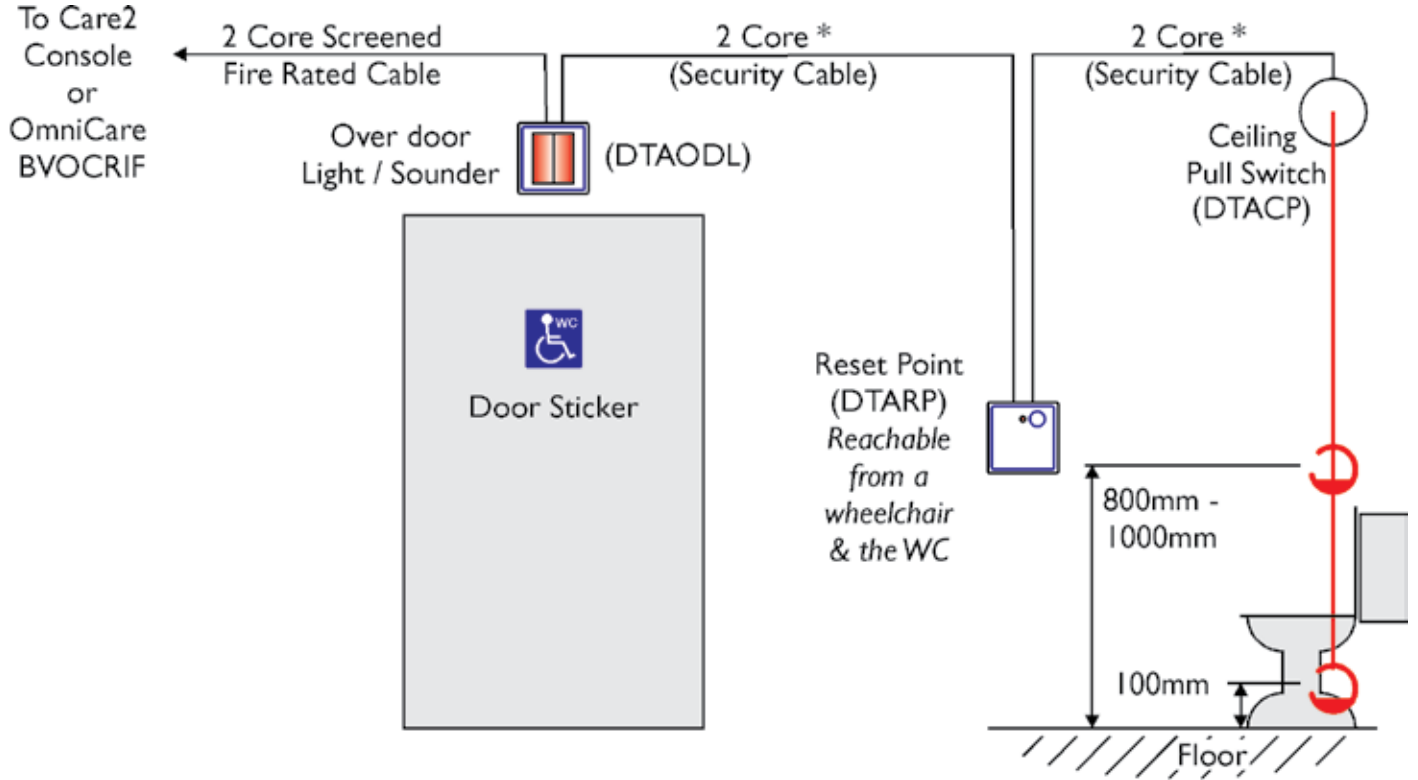


PRODUCT CODES	WHITE	STAINLESS STEEL
Toilet alarm kit (3-parts)	DTAKIT	DTASKIT
Ceiling pull	DTACP	DTASCP
Over-door light	DTAODL	DTASODL
Reset point	DTARP	DTASRP

DISABLED TOILET ALARM KIT SPECIFICATION:

	Over-door light / sounder	Reset point	Ceiling pull (white)	Ceiling pull (stainless steel)
Alarm type	90dB @ 30cm			
Dimensions mm WxHxD	white: 85x85x58 stainless steel: 85x85x60	white: 85x85x13 stainless steel: 85x85x14	30x80 (diameter)	85x85x14
Cable requirements	2-core security cable			
Back box requirements (not supplied)	25mm deep single gang flush back box or 'round cornered' plastic surface box		Supplied with its own surface mount enclosure	25mm deep single gang flush back box or 'round cornered' surface box

DISABLED TOILET ALARM KIT CONNECTION DETAILS:



*The Safety Earth connection **MUST** be fitted if Stainless Steel front panels or metal back boxes are used.

PLEASE NOTE:

Disabled toilet alarm provides a visual and audible alert at the main console, speech communication is not possible.

The DTAKIT is suitable for installation on any OmniCare system via the BVOCRIF repeater. The only exception to this is if a system already has the BVOCDDTA bits and BVFREPEM repeater modules connected. (To help confirm which toilet alarm products have been installed, the DTAKIT products have the Baldwin Boxall logo on the PCB. Also, the DTAKIT ceiling pull (white) does not have any LED indicators).

DTAKIT products featured on this sheet are NOT compatible with BVOCDDTA, CallCare or Intercall 600 products.

BALDWIN BOXALL

TEL: +44 (0) 1892 664422
FAX: +44 (0) 1892 663146

EMAIL: MAIL@BALDWINBOXALL.CO.UK
WEB: WWW.BALDWINBOXALL.CO.UK

BALDWIN BOXALL COMMUNICATIONS LTD
WEALDEN INDUSTRIAL ESTATE,
FARNINGHAM ROAD, CROWBOROUGH,
EAST SUSSEX, TN6 2JR, UNITED KINGDOM.



WE RESERVE THE RIGHT TO CHANGE THE PRODUCT SPECIFICATION WITHOUT PRIOR NOTICE OR LIABILITY. DOC NO: 10012b.0712